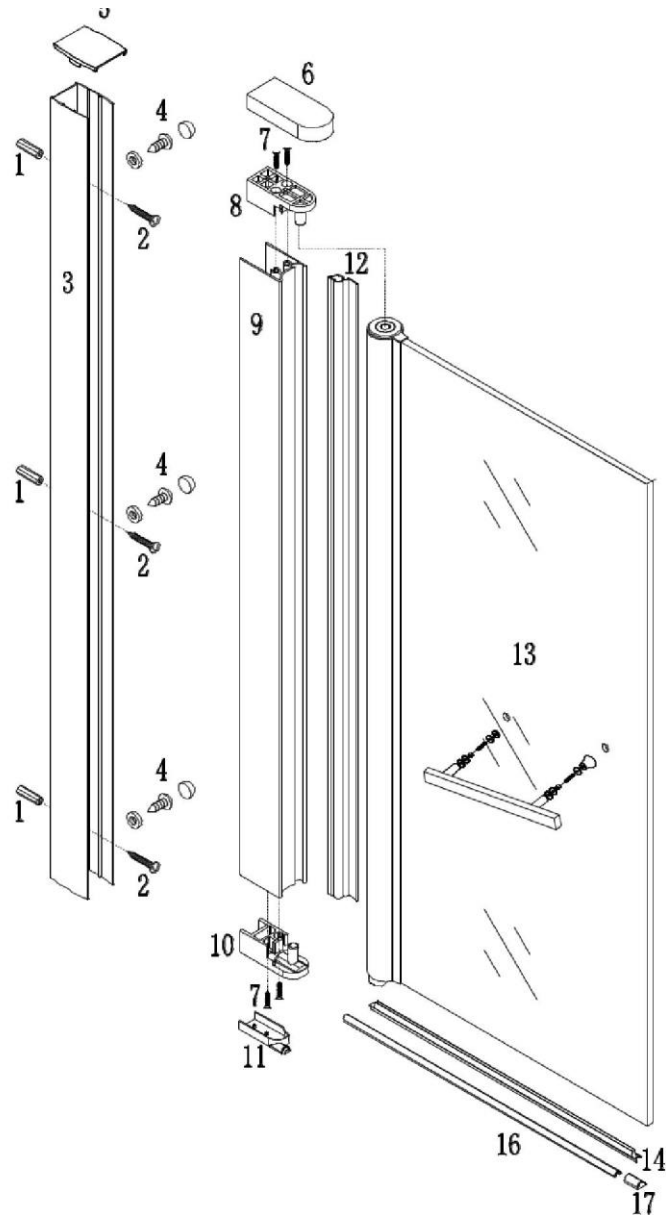
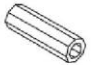




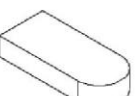

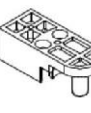

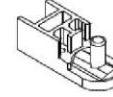
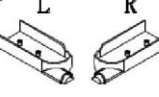





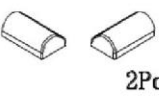


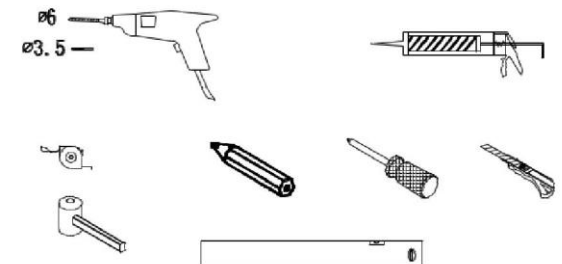


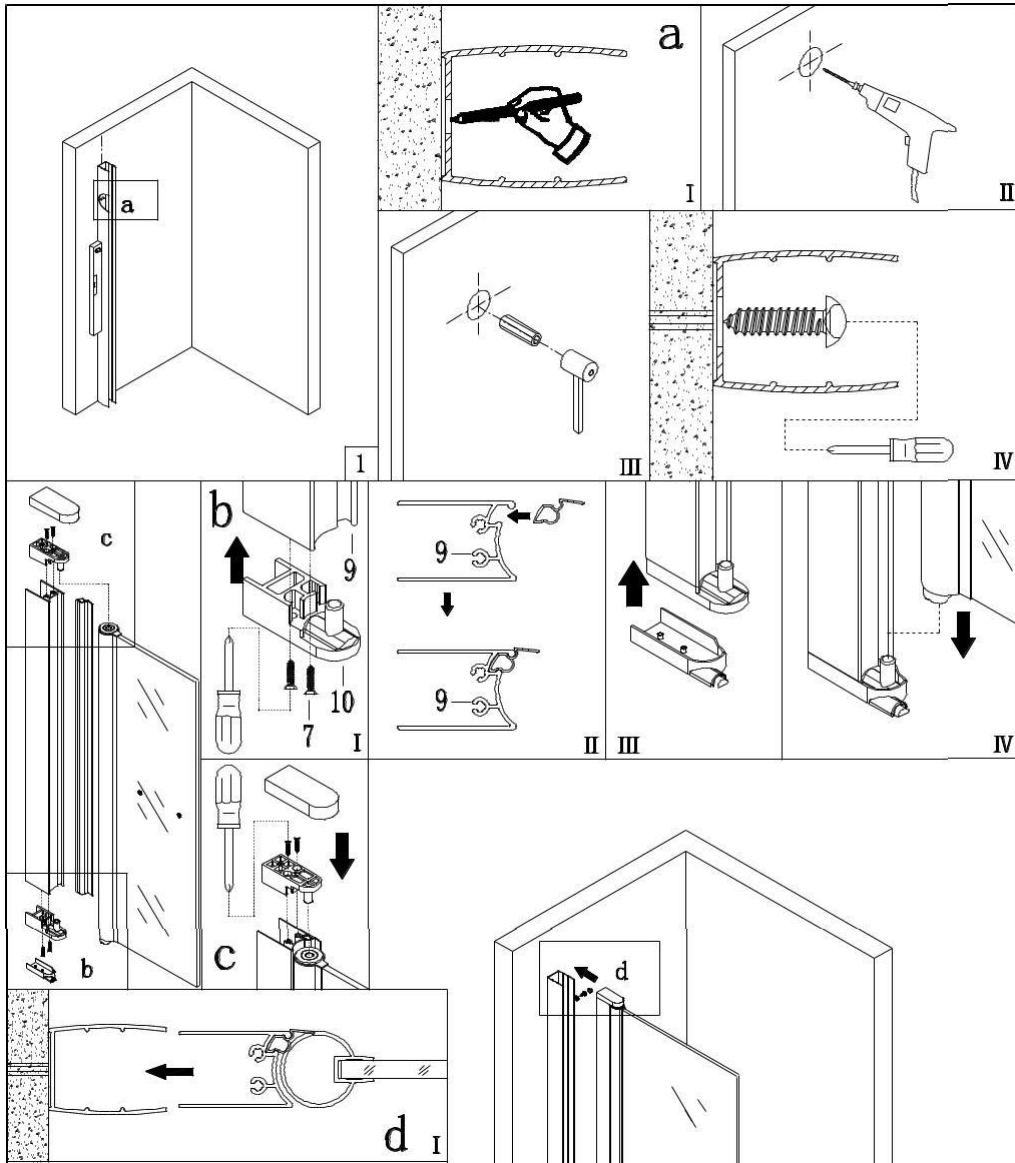
# Bath Screen – Series 900 DY- P2153E



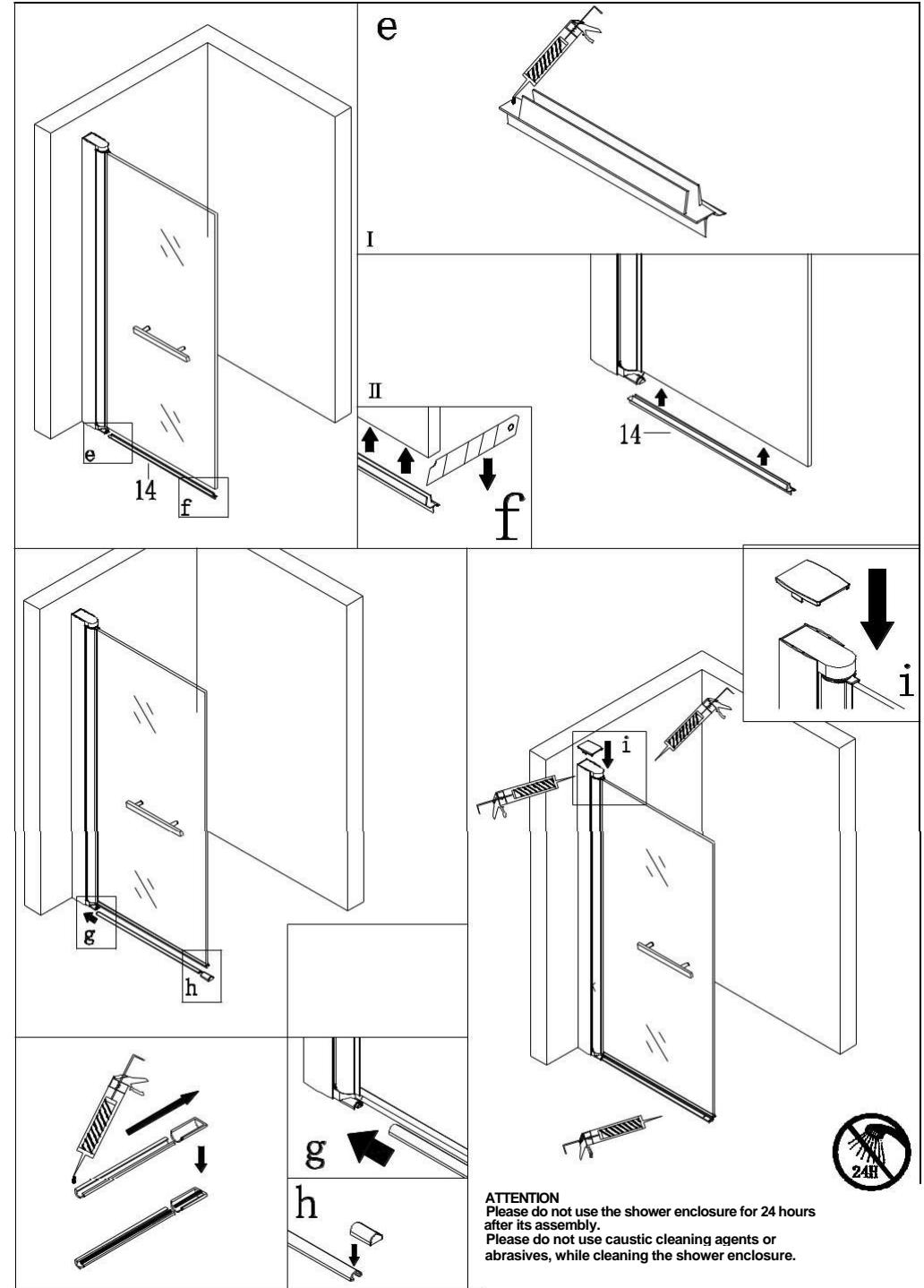
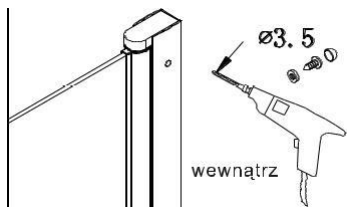
1  3Pcs	2  ST4X30 3Pcs	3  1Pc
4  3Sets	5  1Pc	6  1Pc
7  ST3. 5X30 4Pcs	8  1Pc	9  1Pc
10  1Pc	11 L R  2Pcs	12  1Pc
13  1Pc	14  1Pc	15  1Pc
16  1Pc	17  2Pcs	1Pc

Required tools





Adjust the width between the profiles. After that tighten the screws.



**ATTENTION**  
 Please do not use the shower enclosure for 24 hours after its assembly.  
 Please do not use caustic cleaning agents or abrasives, while cleaning the shower enclosure.



## CLEANING AND MAINTENANCE

In order to maintain the perfect condition of the glass surface, follow the guidelines mentioned below:

- After having a shower rinse the glass with water and wipe it with a rubber wiper,
- From time to time cover the glass with a special coating preventing creation of lime and sediments. To maintain the Clean Control coating you may use "Shower Glass Water Repellent G-600".
- For daily care you may use cleaning agents for bathrooms and shower enclosures e.g. "Daily Shower Cleaner CH-300".
- For the purpose of cleaning the glass surface from the outside you may use glass or mirror cleaner.
- Neither glass, nor cabin enclosures should be cleaned with abrasive cleaning agents such as: cream cleaner, paste or washing powder.
- Please do not use cleaning agents containing: acids, acetone, formaldehydes or petrol.
- Large impurities (yellow stains or rust) should be cleaned by means of strong liquid concentrates or descaler which remove dirt and at the same time disinfect.

The producer provides guarantee for Actima products for 2 years from the date of product purchase.

The guarantee does not cover:

- mechanical damages caused by the seller, installer or end user,
- defects and damages caused by improper handling,
- defects and damages caused by improper installation of the product (not in line with this manual and the art of building),
- premature wear and tear of the elements caused by their improper installation,
- damages caused by scale formation and improper cleaning.